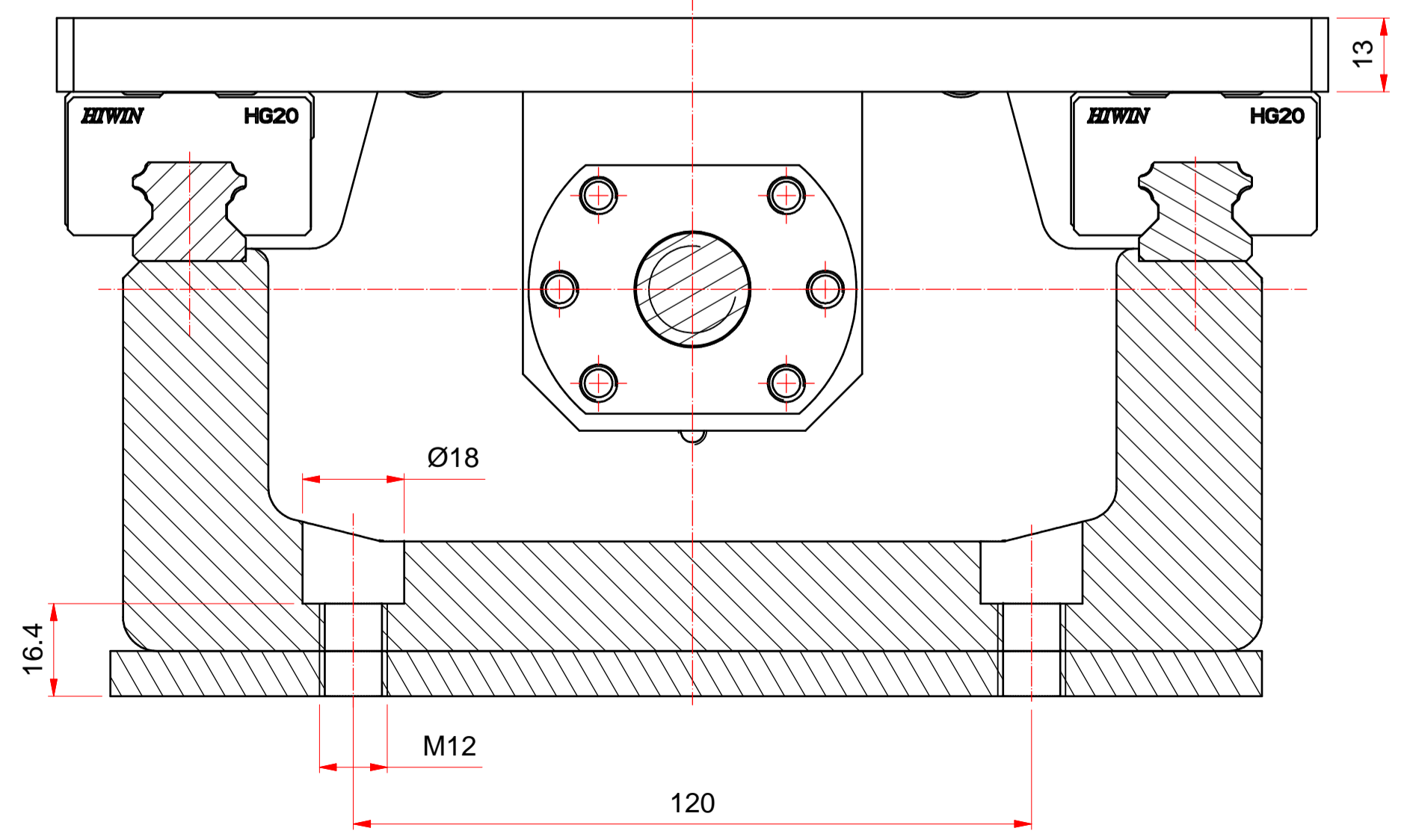
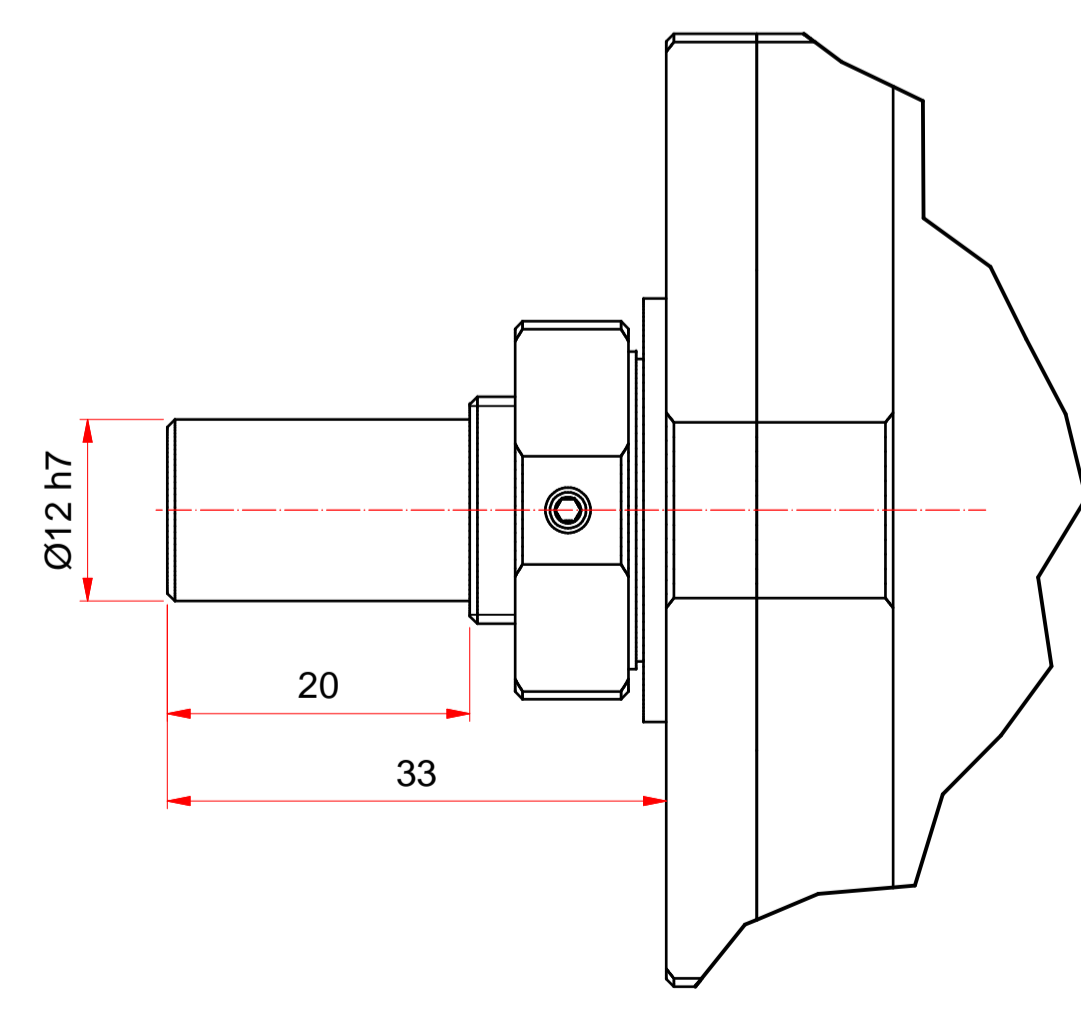


B-B (1:1)



A (2:1)



OVERALL TREATMENT: BLACK OXIDE COATING
CHASSIS COLOR: PAINT, RAL 7035

KK-HD-225-20XX-YYYY
XX
05
10
20

<input checked="" type="checkbox"/> Specified roughness Ra <input checked="" type="checkbox"/> Ra <input checked="" type="checkbox"/> Scale 1:2 <input checked="" type="checkbox"/> Form A1	GENERAL TOLERANCES DIMENSION ANGLE MATERIAL : TREATMENT : PROJ : REV. No. :0 ACE DAT.: 2/02/2009 PAG. 1 / 2	ISO 2768-mk WELD DIN 8570-BF ASSEMBLY No. TITLE ASSEMBLY DRWG. No. KK-HD-225-20-20XX-1000-A01 Vansichen Lineairtechniek	QUANTITY
--	--	---	----------