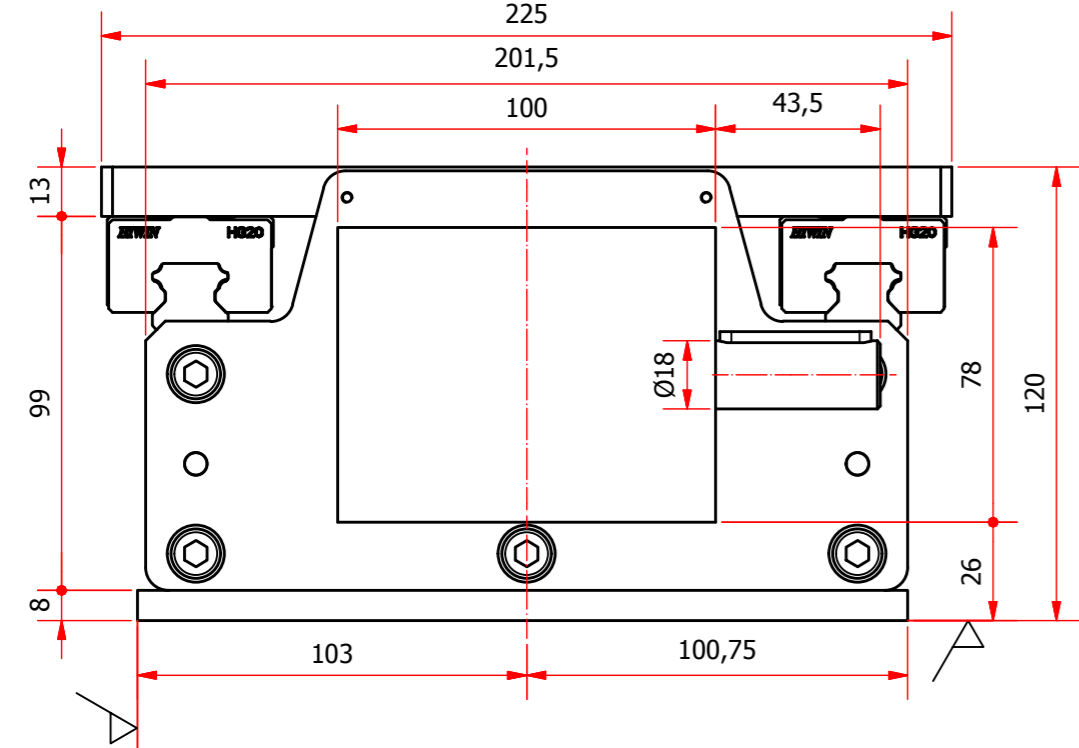
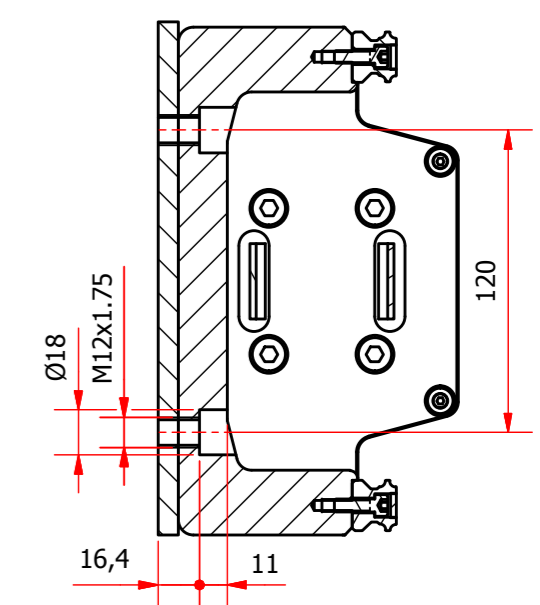


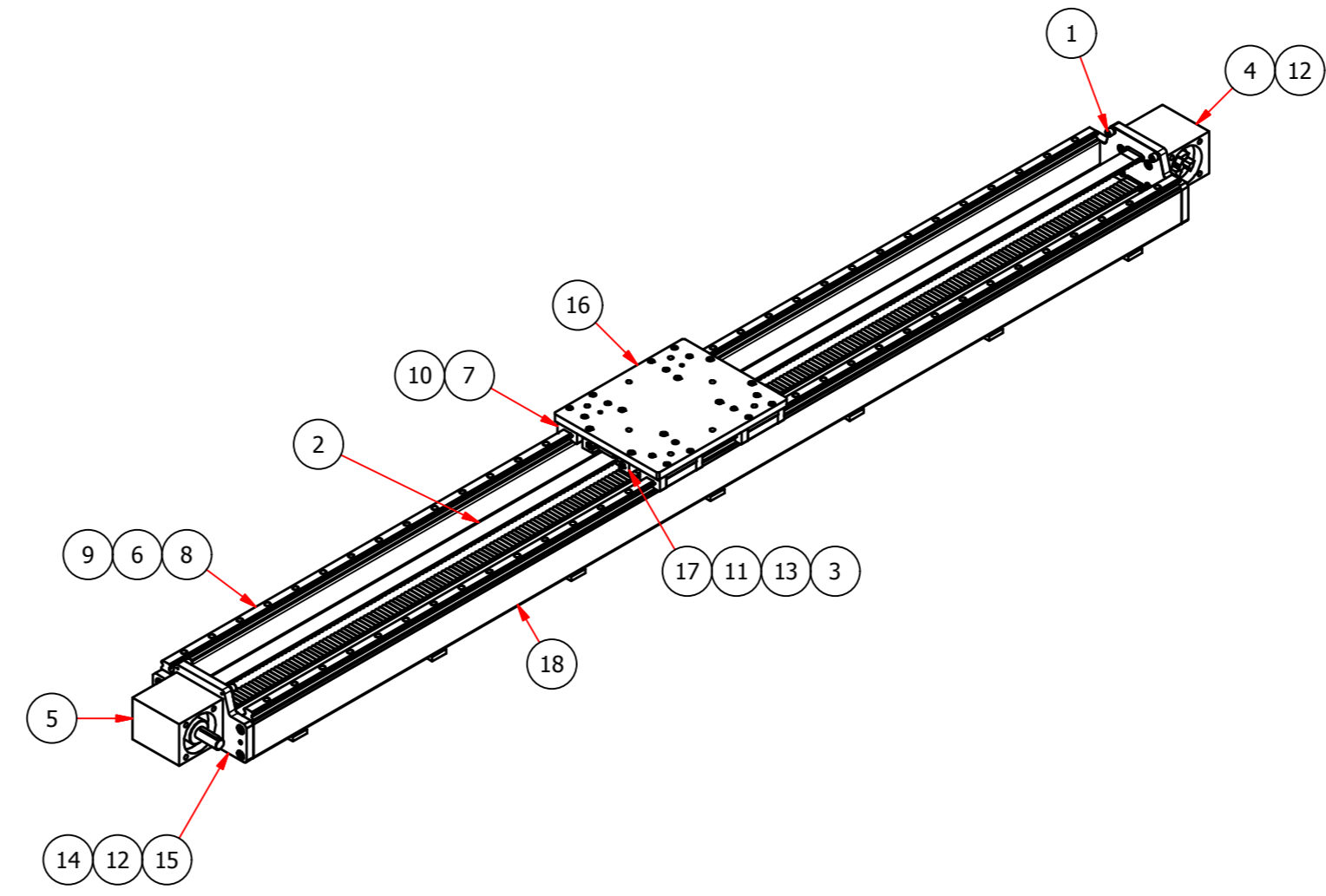
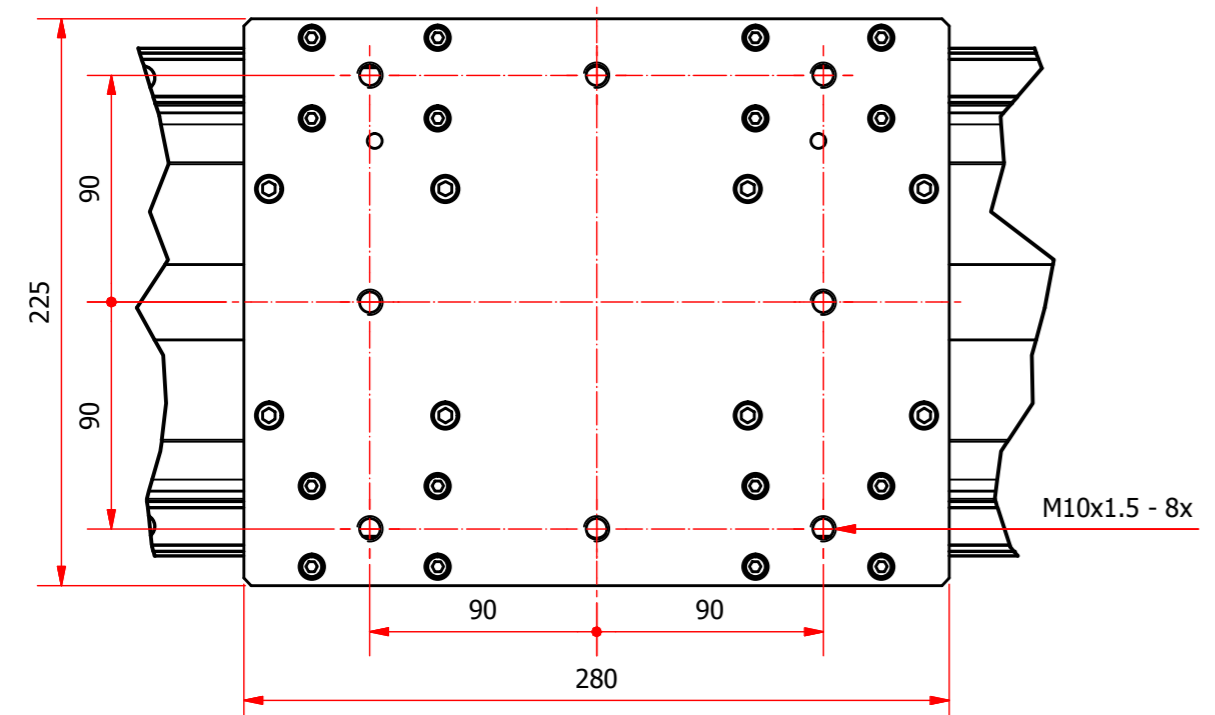
B (1:2)



C-C (1:3)



A (1:3)



✓	▽	∇	GENERAL TOLERANCES		ISO 2768-mk	ASSEMBLY No.	QUANTITY
Specified roughness Ra	DIMENSION	ANGLE	0,2	0,5	WELD DIN 8570-BF	TITLE	
Ra	UNIT	MATERIAL :		ASSEMBLY			
3,20	mm	THREATMENT :		DRWG. No.			
SCALE	FORM	PROJ : KK-BD	CLIENT : VANSICHEN		KK-BD-225-20-8M30-2000		
1:5	A2	REV. No. : 0	KH	DAT.: 18/01/2013	PAG. 1 / 1	VANSICHEN LINEAIRTECHNIEK	