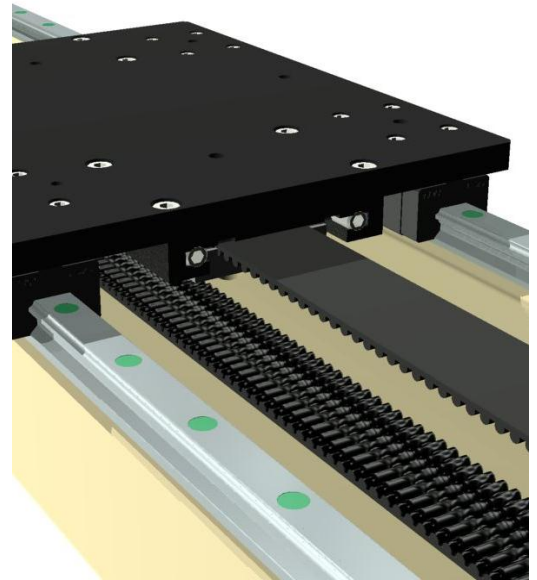


## KK – BD – Stages

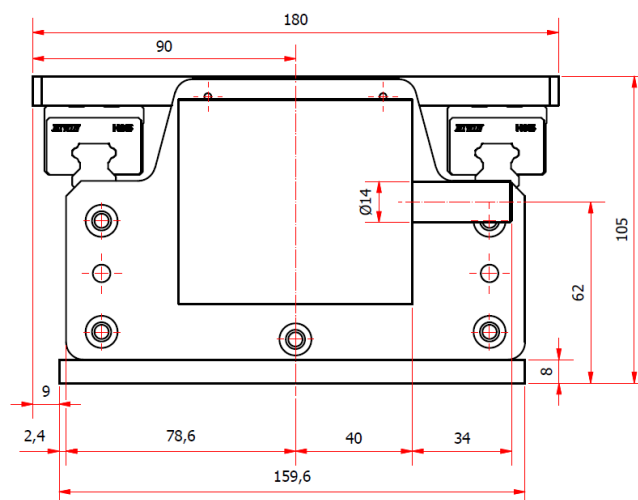
Heavy Duty Linear Stages

- Simplify Your design due to Modular construction
- Heavy duty bearings for handling heavy loads
- Steel construction for high stiffness
- Precise movements by high – end linear bearings
  
- Modular linear unit to facilitate Your design and Engineering
- Construction with heavy duty steel body.
- Actuated by Toothbelt
- HIWIN Heavy duty linear guide ways.
- End damping with Rubber Buffers
- Interface for different type of motors available.

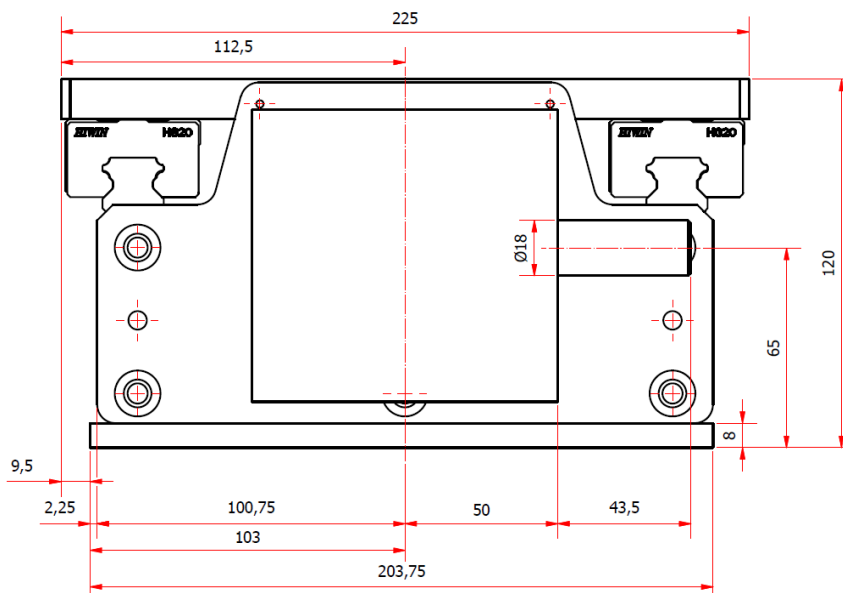


## Types and Dimensions

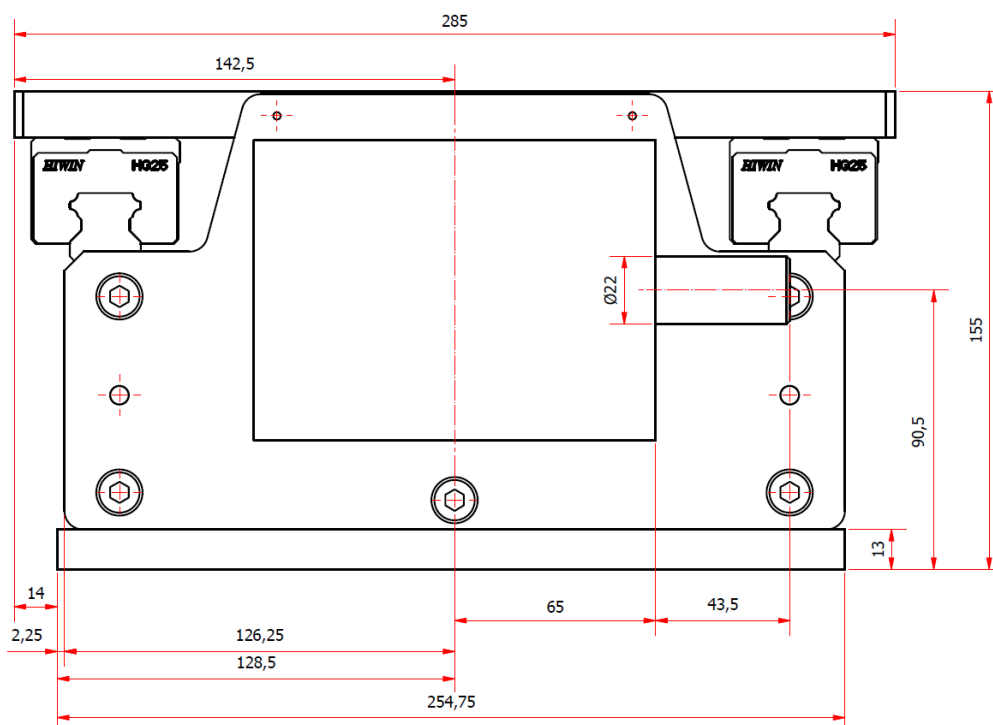
KK-BD-180-15-5M25-XXXX (carriage 180x225 mm)



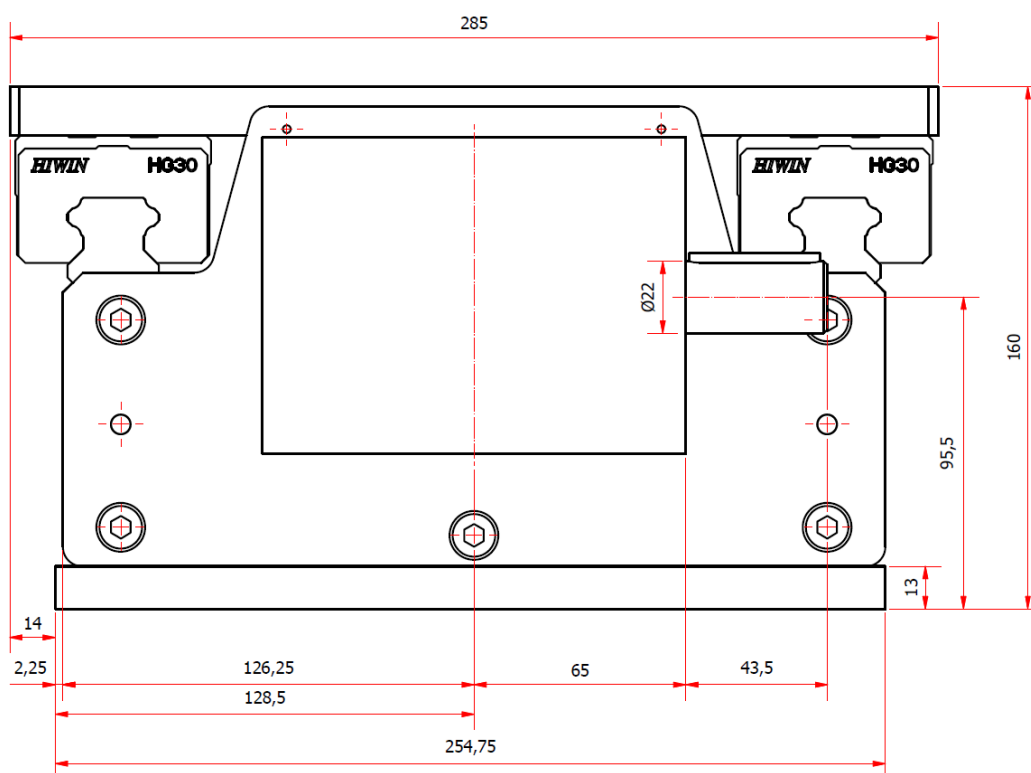
KK-BD-225-20-8M30-XXXX (carriage 225x280 mm)



KK-BD-285-25-8M50-XXXX (carriage 285x350 mm)



KK-BD-285-30-8M70-XXXX (carriage 285x350 mm)



## Technical data

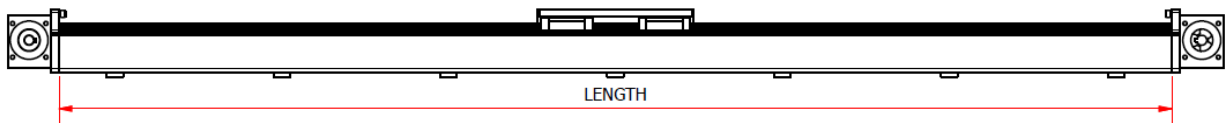
	Belt	Pitch (mm/r)	Linear Bearings Type Hiwin	F <sub>x</sub> (N)	F <sub>y</sub> (N)	F <sub>z</sub> (N)	M <sub>x</sub> (Nm)	M <sub>y</sub> (Nm)	M <sub>z</sub> (Nm)	I <sub>y</sub> (cm <sup>4</sup> )	I <sub>z</sub> (cm <sup>4</sup> )
KK-HD-180-15	HTD 5M25	130	HGH 15 CA	800	5000	10 000	650	650	650	150	1494
KK-HD-225-20	HTD 8M30	176	HGH 20 HA	1800	9000	18 000	800	800	800	270	3423
KK-HD-285-25	HTD 8M50	224	HGH 25 HA	3800	14000	28 000	3000	3000	3000	721	8605
KK-HD-285-30	HTD 8M70	224	HGH 30 HA	5750	20000	40 000	4400	4400	4400	721	8605

\* ) Based on a operational life of 10 000 Km

## Ordering Example

**KK – BD – 180 – 15 – 5M25 – XXXX**

XXXX = Length KK-BD stage (mm)



Standard Lengths: 300 – 400 – 500 – 600 – 700 – 800 – 900 – 1000 – 1200 – 1400 – 1600 – 1800 – 2000

### Vansichen Lineairtechniek bvba

Herkenrodesingel 4 bus 3

B-3500 Hasselt

Phone : +32 (0)11 37 79 63

Telefax : +32 (0)11 37 54 34

E-mail : [info@vansichen.be](mailto:info@vansichen.be)

Internet : [www.vansichen.be](http://www.vansichen.be)