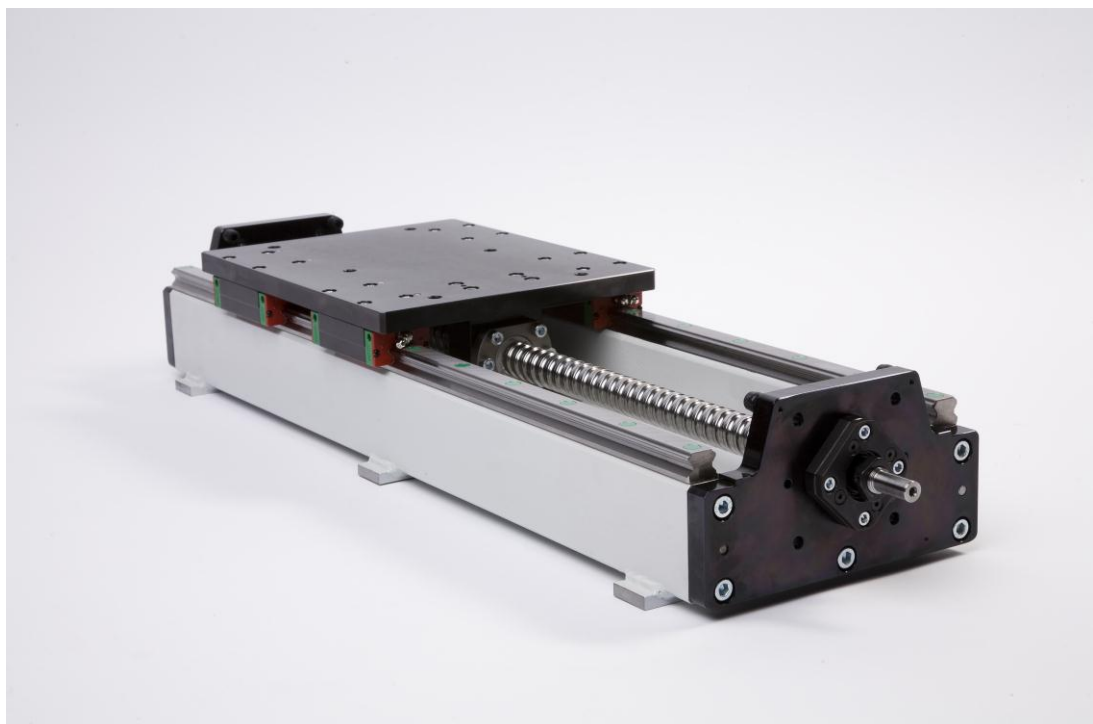


## KK – HD – Stages

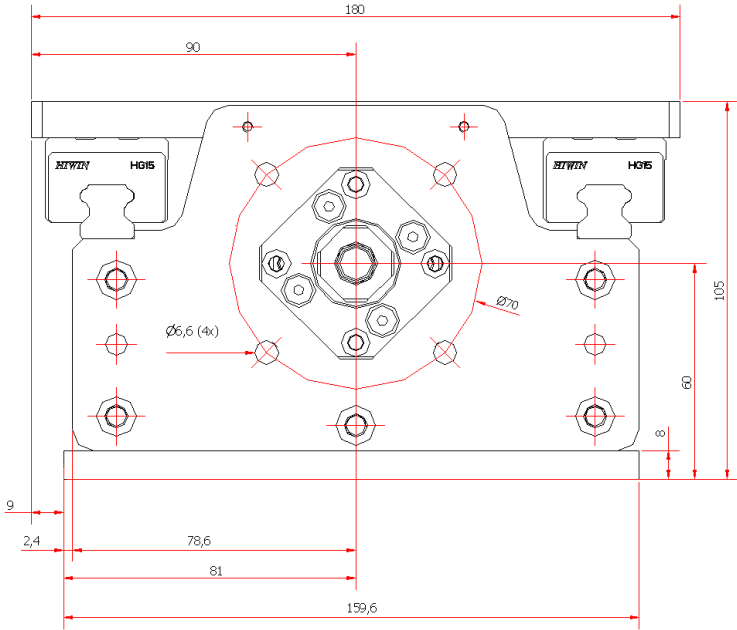
### Heavy Duty Linear Stages

- Simplify Your design due to Modular construction
- Heavy duty bearings for handling heavy loads
- Steel construction for high stiffness
- Precise movements by high – end linear bearings
- High repeatability by high precision ball screw
- Modular linear unit to facilitate Your design and Engineering
- Construction with heavy duty steel body.
- Actuated by Ball Screw
- High precision positioning due to the use of precision ball screw and linear bearings
- HIWIN Heavy duty linear guide ways.
- End damping with Rubber Buffers
- Interface for different type of motors available.

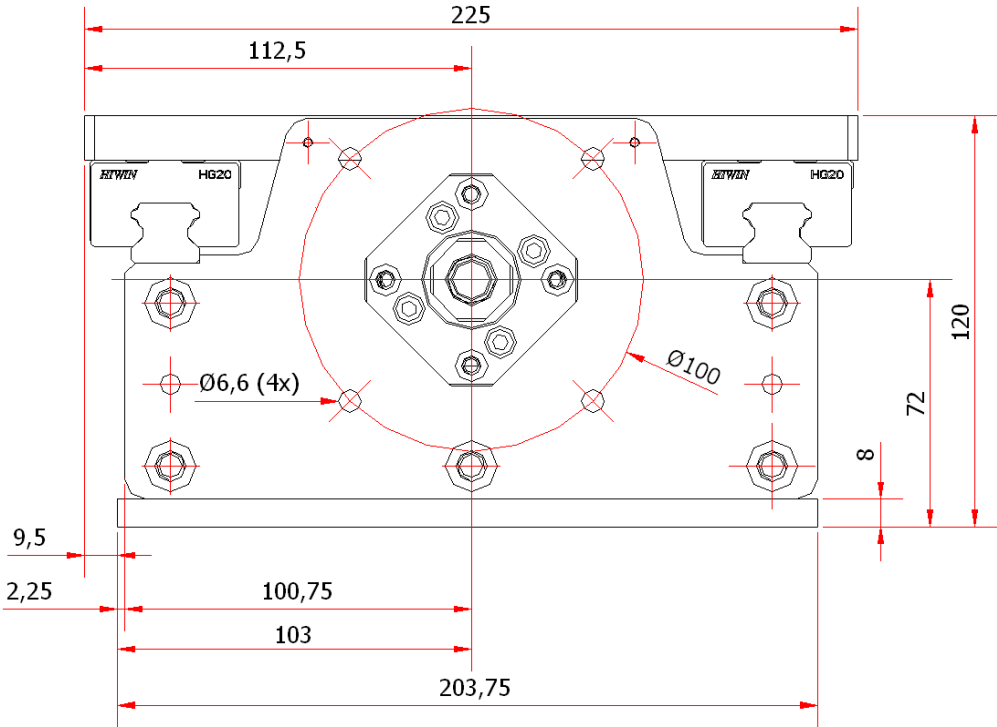


Types and Dimensions

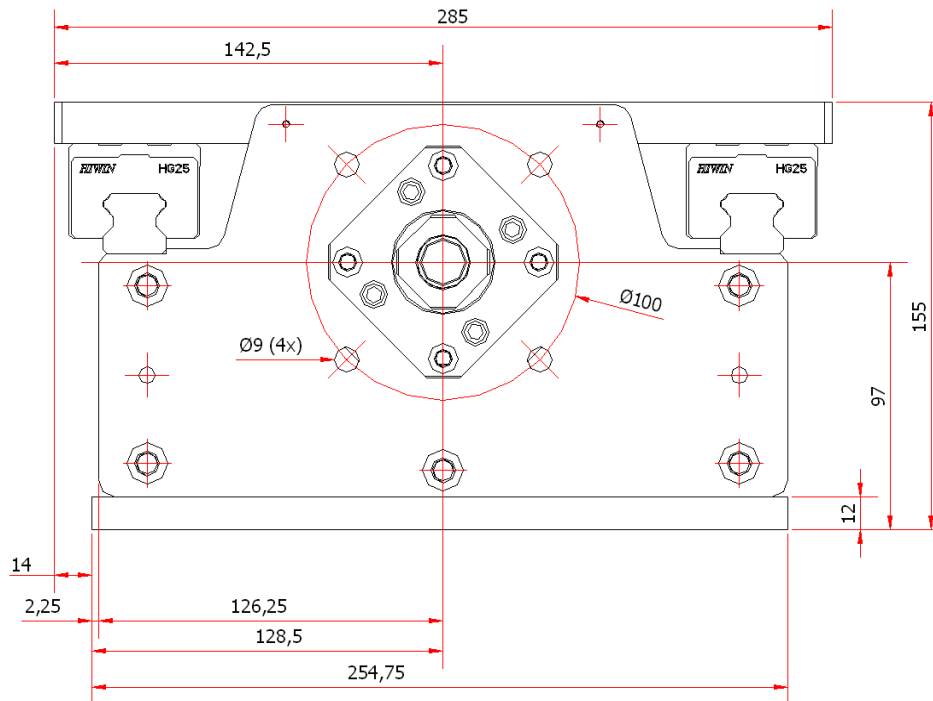
KK-HD-180-15-16XX-XXXX (carriage 180x225 mm)



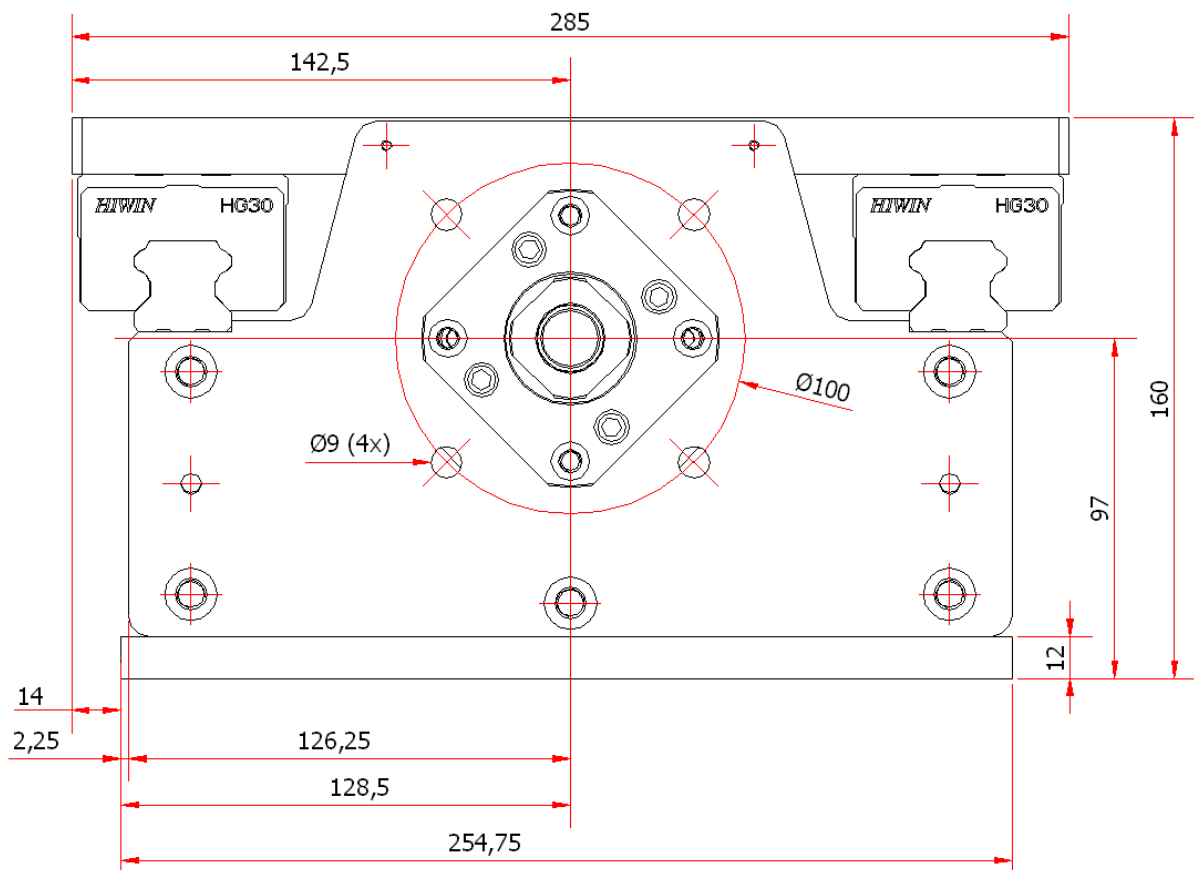
KK-HD-225-20-20XX-XXXX (carriage 225x280 mm)



KK-HD-285-25-25XX-XXXX (carriage 285x350 mm)



KK-HD-285-30-15-32XX-XXXX (carriage 285x350 mm)



## Technical data

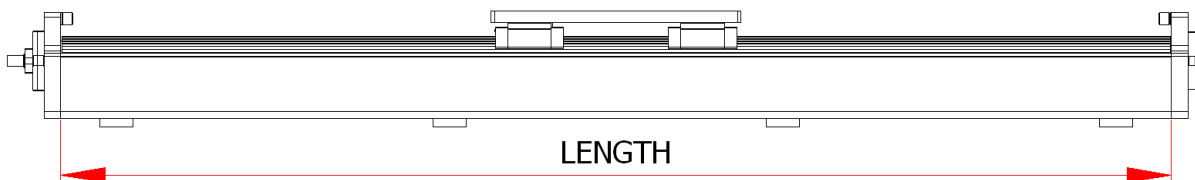
	Ball screw Ø (mm)	Ball screw Pitch (mm)	Linear Bearings Type Hiwin	Fx (N)	Fy (N)	Fz (N)	Mx (Nm)	My (Nm)	Mz (Nm)	Iy (cm <sup>4</sup> )	Iz (cm <sup>4</sup> )	Max Length at 2000 RPM (mm)	Speed at 2000 RPM (m/s)
KK-HD-180-15	Ø 16	5	HGH 15 CA	585	5000	10 000	650	650	650	150	1494	1000	0.16
	Ø 16	10	HGH 15 CA	605	5000	10 000	650	650	650	150	1494	1000	0.33
KK-HD-225-20	Ø 20	5	HGH 20 HA	925	9000	18 000	800	800	800	270	3423	1250	0.16
	Ø 20	10	HGH 20 HA	1050	9000	18 000	800	800	800	270	3423	1250	0.33
	Ø 20	20	HGH 20 HA	1175	9000	18 000	800	800	800	270	3423	1250	0.66
KK-HD-285-25	Ø 25	5	HGH 25 HA	992	14000	28 000	3000	3000	3000	721	8605	1400	0.16
	Ø 25	10	HGH 25 HA	1210	14000	28 000	3000	3000	3000	721	8605	1400	0.33
	Ø 25	25	HGH 25 HA	1425	14000	28 000	3000	3000	3000	721	8605	1400	0.66
KK-HD-285-30	Ø 32	5	HGH 30 HA	1645	20000	40 000	4400	4400	4400	721	8605	1600	0.16
	Ø 32	10	HGH 30 HA	2185	20000	40 000	4400	4400	4400	721	8605	1600	0.33
	Ø 32	20	HGH 30 HA	2725	20000	40 000	4400	4400	4400	721	8605	1600	0.66

\* ) Based on a operational life of 10 000 Km

## Ordering Example

**KK – HD – 180 – 15 – 16XX – XXXX**

XX = Ball Screw Pitch (mm)  
XXXX = Length KK-HD stage (mm)



Standard Lengths: 300 – 400 – 500 – 600 – 700 – 800 – 900 – 1000 – 1200 – 1400 – 1600 – 1800 – 2000

### Vansichen Lineairtechniek bvba

Herkenrodesingel 4 bus 3  
B-3500 Hasselt  
Phone : +32 (0)11 37 79 63  
Telefax : +32 (0)11 37 54 34  
E-mail : [info@vansichen.be](mailto:info@vansichen.be)  
Internet : [www.vansichen.be](http://www.vansichen.be)