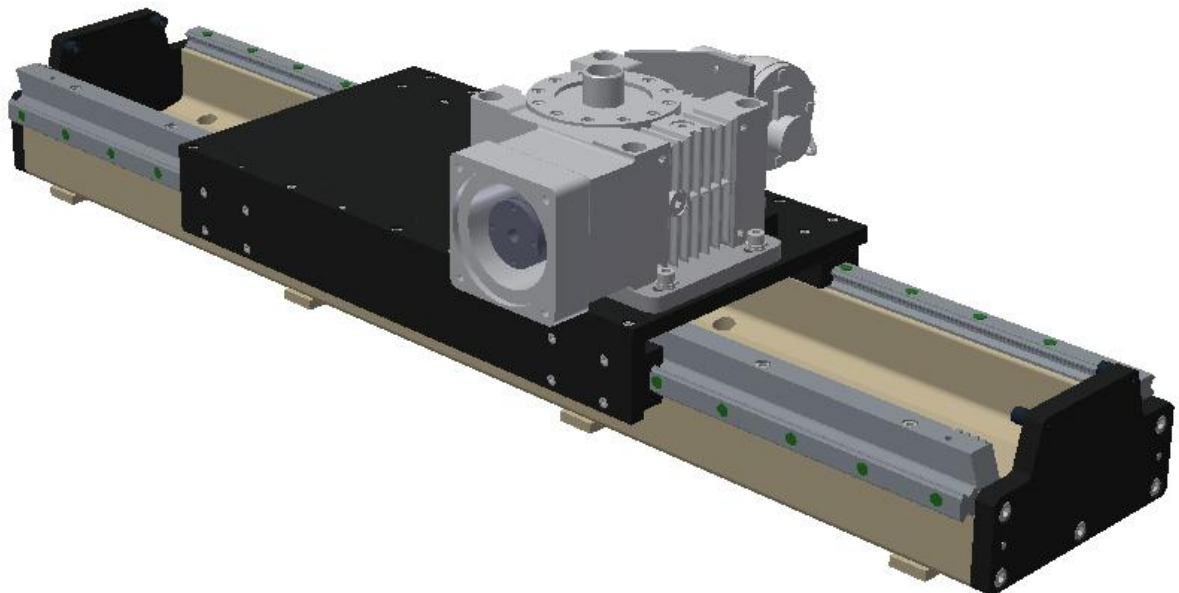
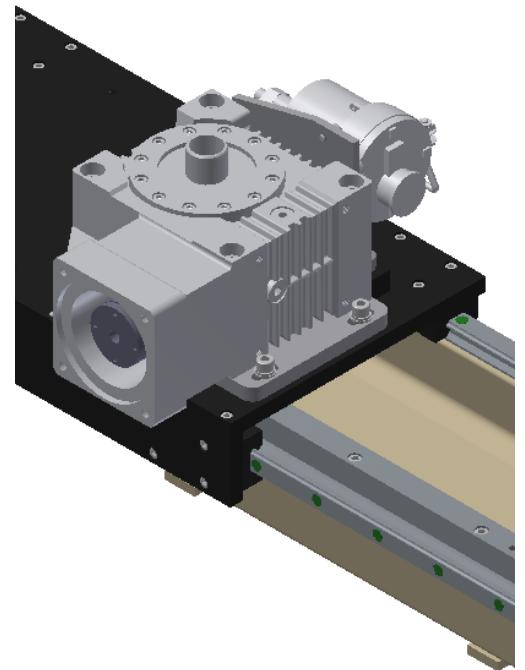


## KK – RP – Stages

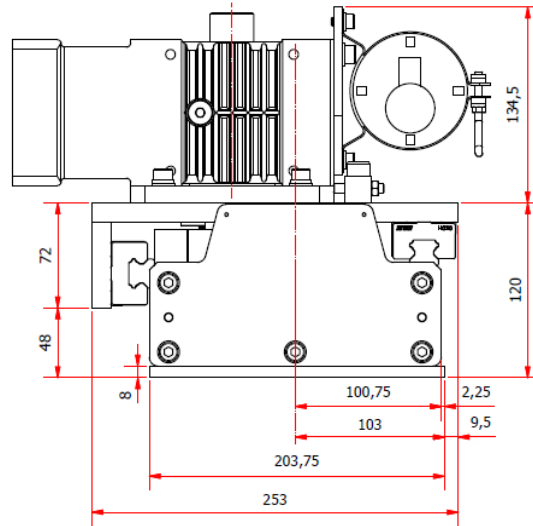
### Heavy Duty Linear Stages

- Simplify Your design due to Modular construction
- Heavy duty bearings for handling heavy loads
- Steel construction for high stiffness
- Precise movements by high – end linear bearings
- High repeatability by high precision ball screw
- Modular linear unit to facilitate Your design and Engineering
- Construction with heavy duty steel body.
- Actuated by Rack and Pinion
- HIWIN Heavy duty linear guide ways.
- End damping with Rubber Buffers
- Interface for different type of motors available.

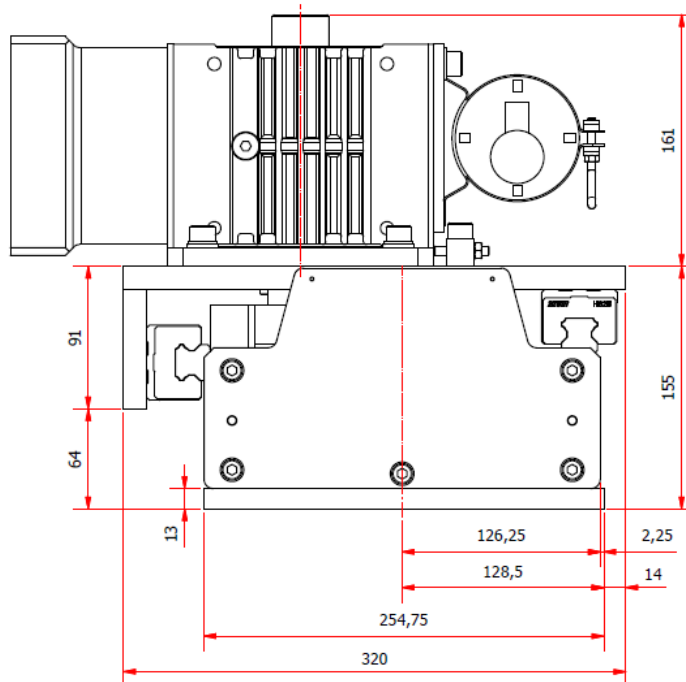


Types and Dimensions

KK-RP-225-20-M2-XXXX (carriage 253x480 mm)



KK-BD-285-25-M3-XXXX (carriage 320x525 mm)



Technical data

| Type         | Rack | Rack      | Teeth               | Quality              | Gearbox | Linear Bearings | Fx   | Fy   | Fz     | Mx   | My   | Mz   | Iy    | Iz    | Max. speed | Max. motor speed |
|--------------|------|-----------|---------------------|----------------------|---------|-----------------|------|------|--------|------|------|------|-------|-------|------------|------------------|
|              |      |           |                     |                      |         | Type Hiwin      |      |      |        |      |      |      |       |       |            |                  |
|              |      |           |                     |                      |         |                 | (N)  | (N)  | (N)    | (Nm) | (Nm) | (Nm) | (cm4) | (cm4) | (m/s)      | (rpm)            |
| KK-RP-225-20 | M2   | 39 Series | milled & hardened   | 10e27<br>0,086/300mm | HP50    | HGH 20 HA       | 1800 | 9000 | 18 000 | 800  | 800  | 800  | 270   | 3423  | 3,5        | 5000             |
|              |      | 47 Series | milled & soft       | 9e27<br>0,061/300mm  |         |                 | 1800 |      |        |      |      |      |       |       |            |                  |
|              |      | 38 Series | quenched & tempered | 8e27<br>0,044/300mm  |         |                 | 1800 |      |        |      |      |      |       |       |            |                  |
|              |      | 29 Series | hardened & ground   | 6h25<br>0,022/300mm  |         |                 | 1800 |      |        |      |      |      |       |       |            |                  |

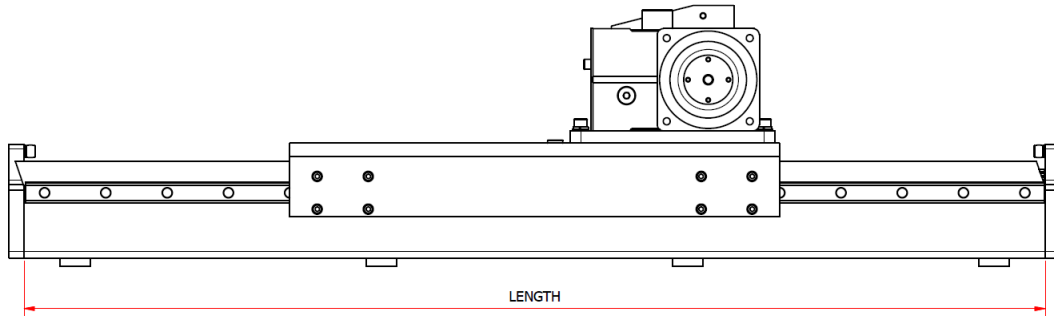
Gear ratio 4,75 - 6,75 - 9,25 - 14,50 - 19,50 - 29,00 - 39,00 - 50,00

|              |    |           |                     |                      |      |           |      |       |        |      |      |      |     |      |     |      |
|--------------|----|-----------|---------------------|----------------------|------|-----------|------|-------|--------|------|------|------|-----|------|-----|------|
| KK-RP-285-25 | M3 | 39 Series | milled & hardened   | 10e27<br>0,091/300mm | HP63 | HGH 25 HA | 3700 | 14000 | 28 000 | 3000 | 3000 | 3000 | 721 | 8605 | 2,8 | 4000 |
|              |    | 47 Series | milled & soft       | 9e27<br>0,065/300mm  |      |           | 2650 |       |        |      |      |      |     |      |     |      |
|              |    | 38 Series | quenched & tempered | 8e27<br>0,046/300mm  |      |           | 3700 |       |        |      |      |      |     |      |     |      |
|              |    | 29 Series | hardened & ground   | 6h25<br>0,024/300mm  |      |           | 3700 |       |        |      |      |      |     |      |     |      |

Gear ratio 4,75 - 6,75 - 9,25 - 14,50 - 19,50 - 29,00 - 39,00 - 52,00

Atlanta HP-gearboxes with adjustable backlash <2'

Ordering Example



**KK - RP - 225 - 20 - M2\_29 - XXXX**

XXXX = Length KK-RP stage (mm)

**Vansichen Lineairtechniek bvba**

Herkenrodesingel 4 bus 3

B-3500 Hasselt

Phone : +32 (0)11 37 79 63

Telefax : +32 (0)11 37 54 34

E-mail : [info@vansichen.be](mailto:info@vansichen.be)

Internet : [www.vansichen.be](http://www.vansichen.be)