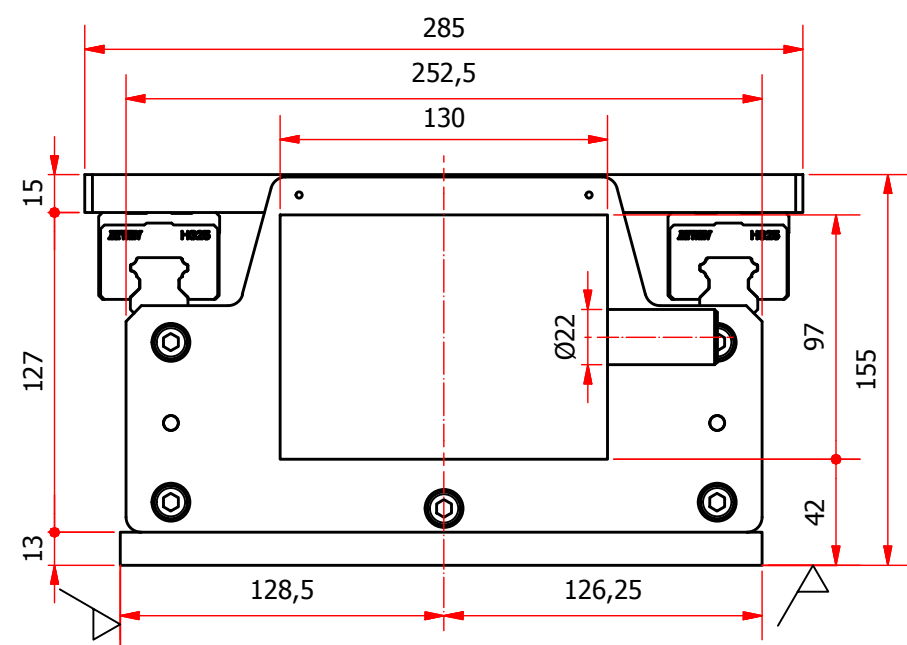
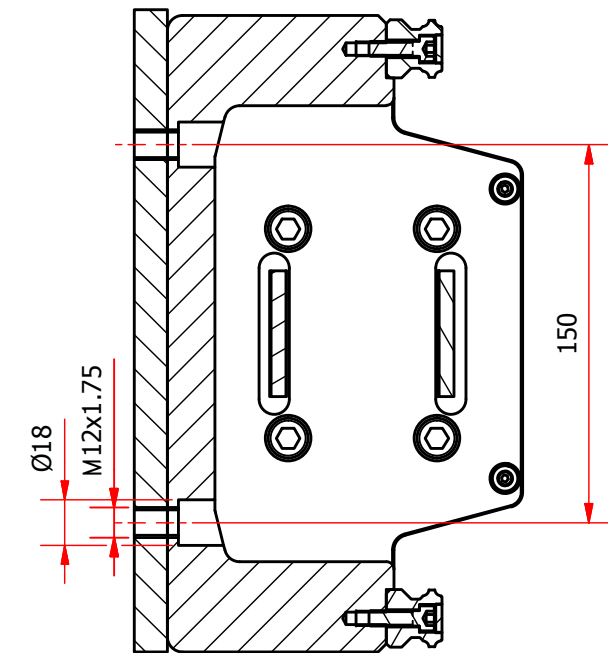
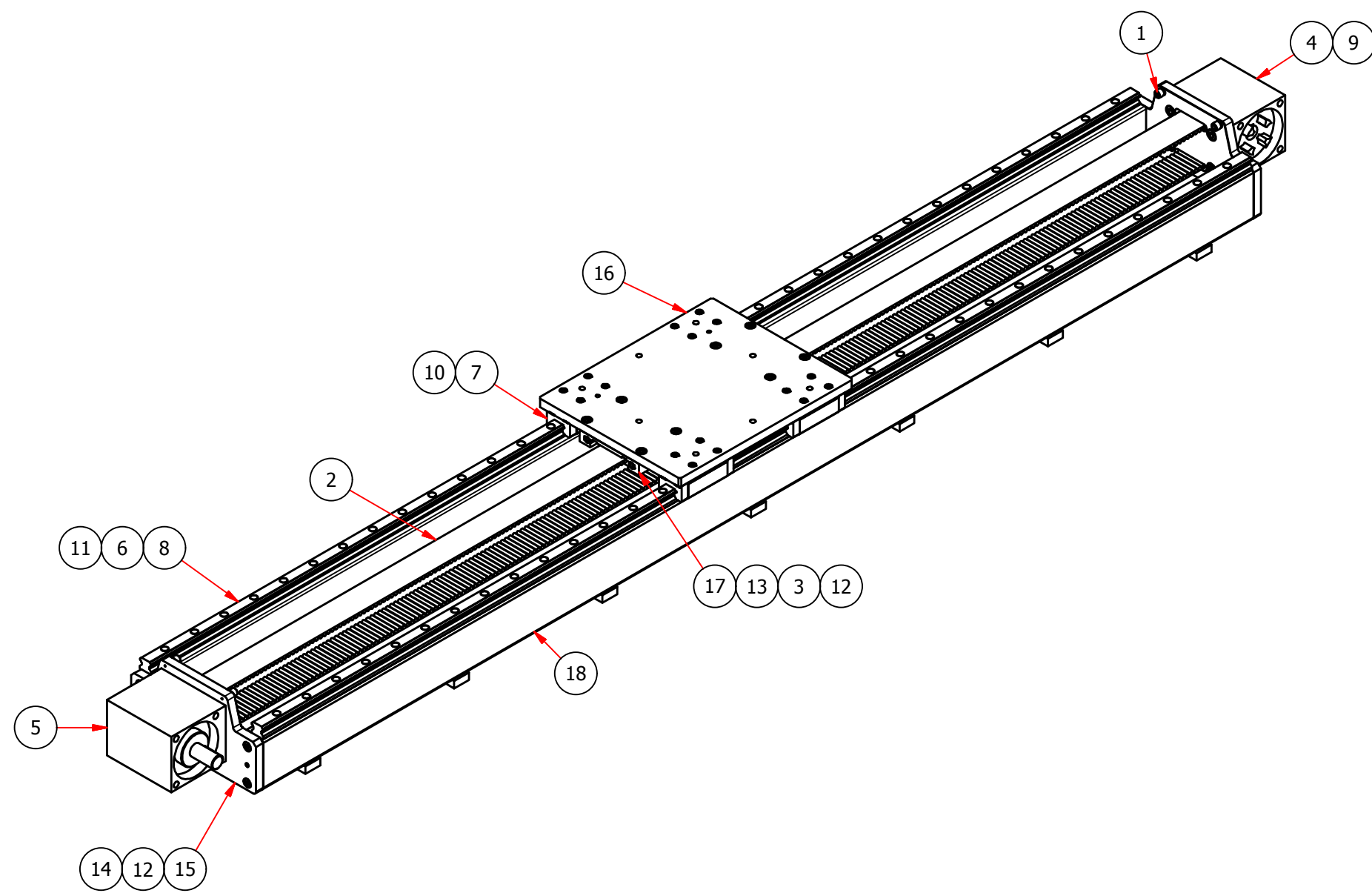
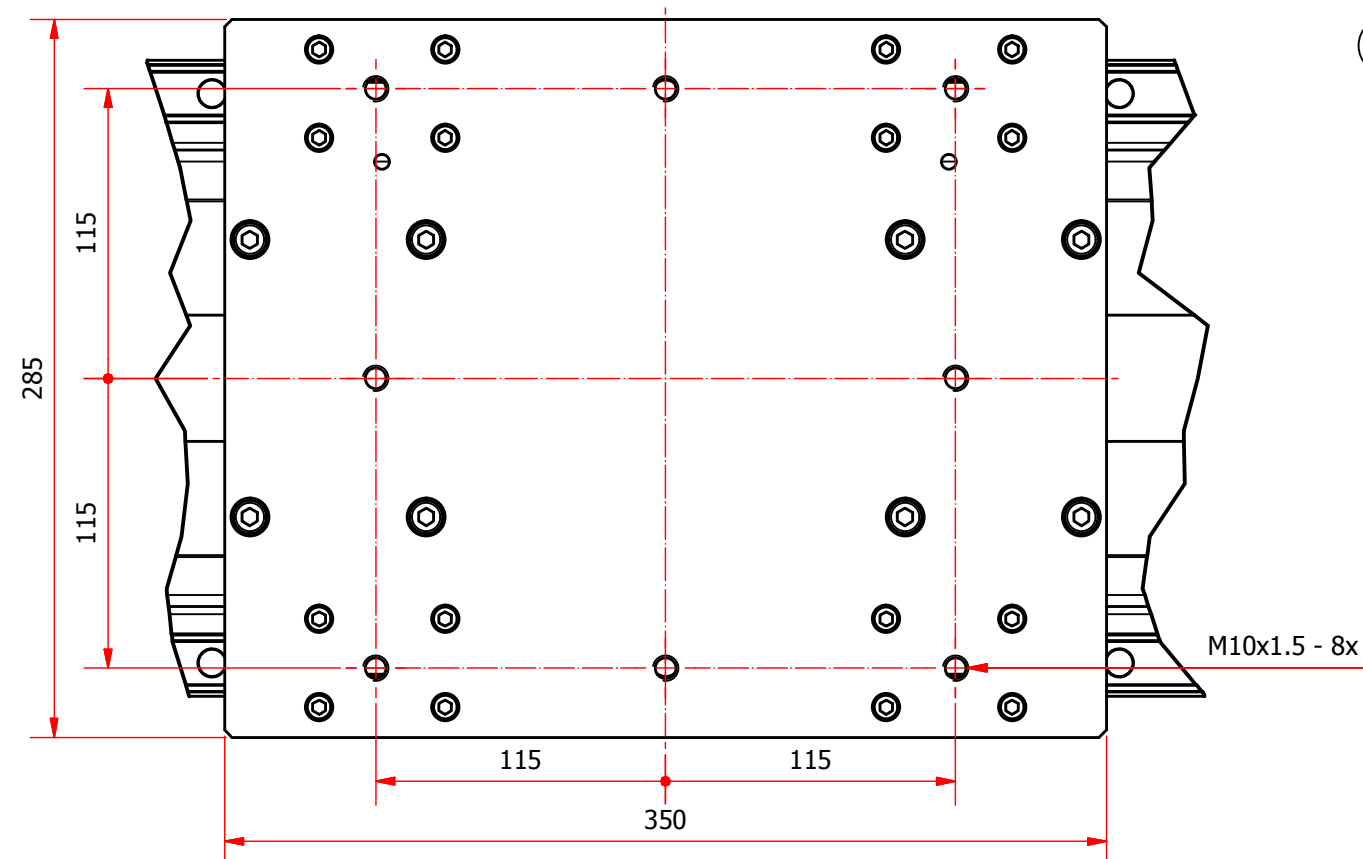


C-C (1:3)

B (1:3)



A (1:3)



 Specified roughness Ra	GENERAL TOLERANCES DIMENSION: 0,2 ANGLE: 0,5	 ISO 2768-mk WELD DIN 8570-BF	ASSEMBLY No. _____ TITLE _____ ASSEMBLY _____ DRWG. No. _____	QUANTITY _____
Ra 3.20 SCALE 1:5	UNIT mm FORM A2	MATERIAL : _____ THREATMENT : _____	<b>KK-BD-285-25-8M50-2000</b>	
	PROJ : KK-BD REV. No. : 0	CLIENT : VANSICHEN KH DAT.: 18/01/2013	<b>VANSICHEN LINEAIRTECHNIEK</b> PAG. 1 / 1	