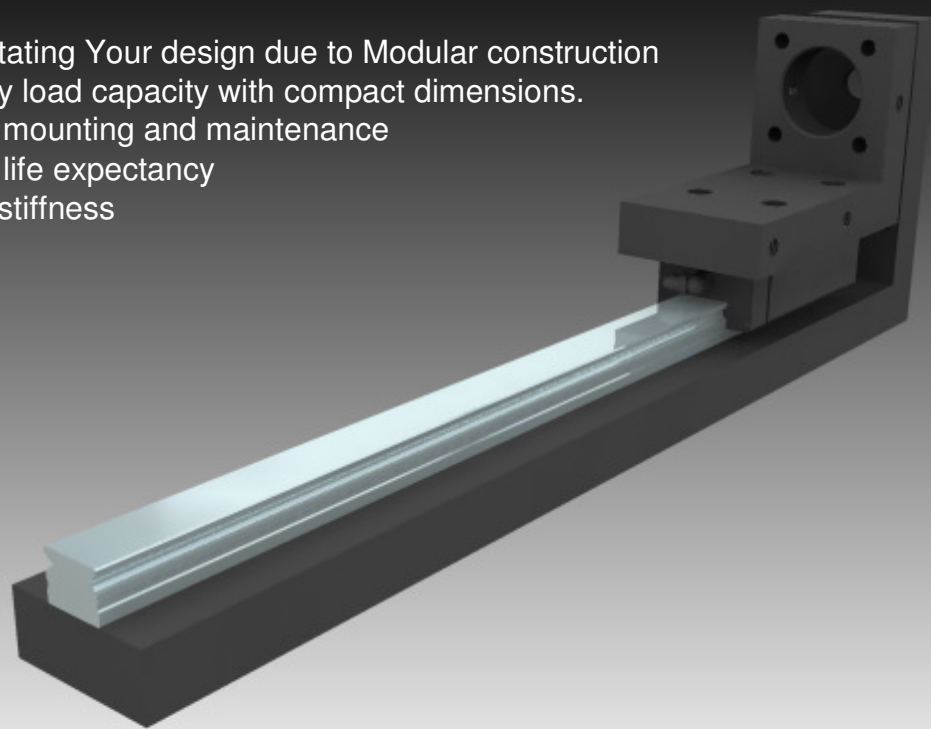


## PCG

### Pneumatic Cylinder Guidway

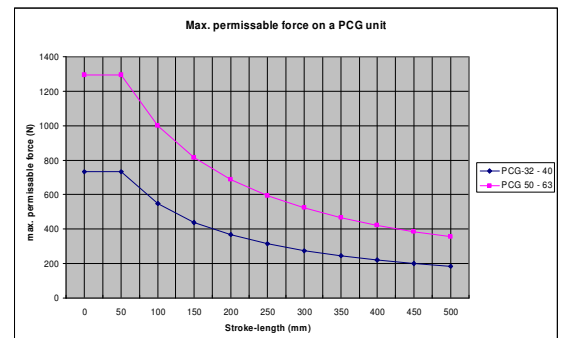
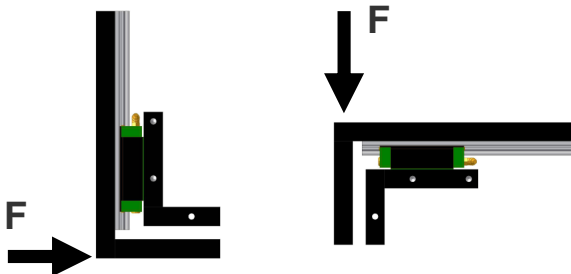
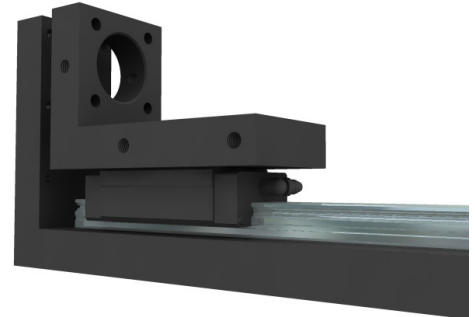
- Facilitating Your design due to Modular construction
- Heavy load capacity with compact dimensions.
- Easy mounting and maintenance
- Long life expectancy
- High stiffness



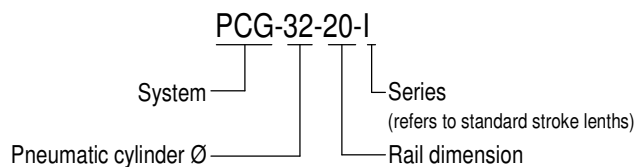
**PCG**

**Pneumatic cylinder guidway**

- Modular linear unit to facilitate Your design and Engineering
- Designed to be used in : production automation, clamping systems, pick and place machines etc.
- Guideway and drive in one compact assembly.
- Developed to be used with standard ISO VDMA pneumatic cylinders
- High speeds and long life expectancy
- Heavy loads permissible.
- Off the shelf deliverable in 3 fixed stroke-lengths
- Custom lengths
- Easy mounting and exchange



**Product key**



**Overview**

	Cylinder (mm)	Series	Max. stroke (mm)	
Rail	20	I	125	
		II	250	
		III	500	
	25	32	I	125
			II	250
			III	500
25	40	I	125	
		II	250	
		III	500	
	50	I	125	
		II	250	
		III	500	
63	50	I	125	
		II	250	
		III	500	

