



PNEUMATIC CYLINDER GUIDEWAY
ELECTRIC CYLINDER GUIDEWAY

PCG - PNEUMATIC CYLINDER GUIDEWAY ECG - ELECTRIC CYLINDER GUIDEWAY

GENERAL INFORMATION

The compact PCG/ECG Unit provides robust guidance for both pneumatic and electric actuators, and it does this in compliance with the ISO 15552 standard.

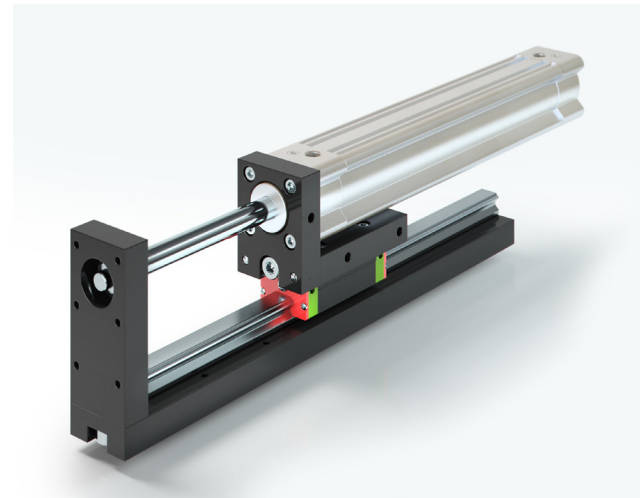
The units have been developed on the basis of standard dimensions and are available in bore sizes 32 through 63 with a maximum stroke length of 500 mm. Other information and stroke lengths are available upon request.

FEATURES

- /// High load capacity
- /// High rigidity with compact dimensions
- /// Easy assembly and maintenance
- /// Long service life
- /// Compatible elements
- /// Actuators are not included



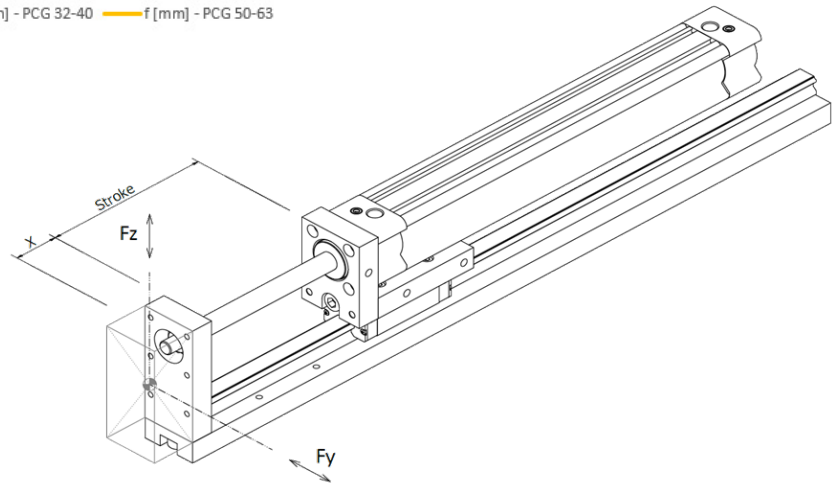
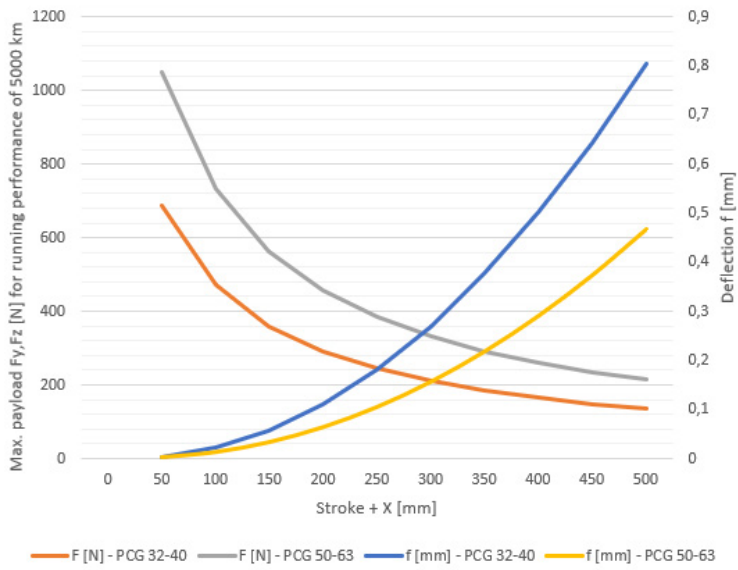
ELECTRIC CYLINDER GUIDEWAY



PNEUMATIC CYLINDER GUIDEWAY

FORCES

VANSICHEN PCG/ECG VS BALL BEARING BASED GUIDE UNIT

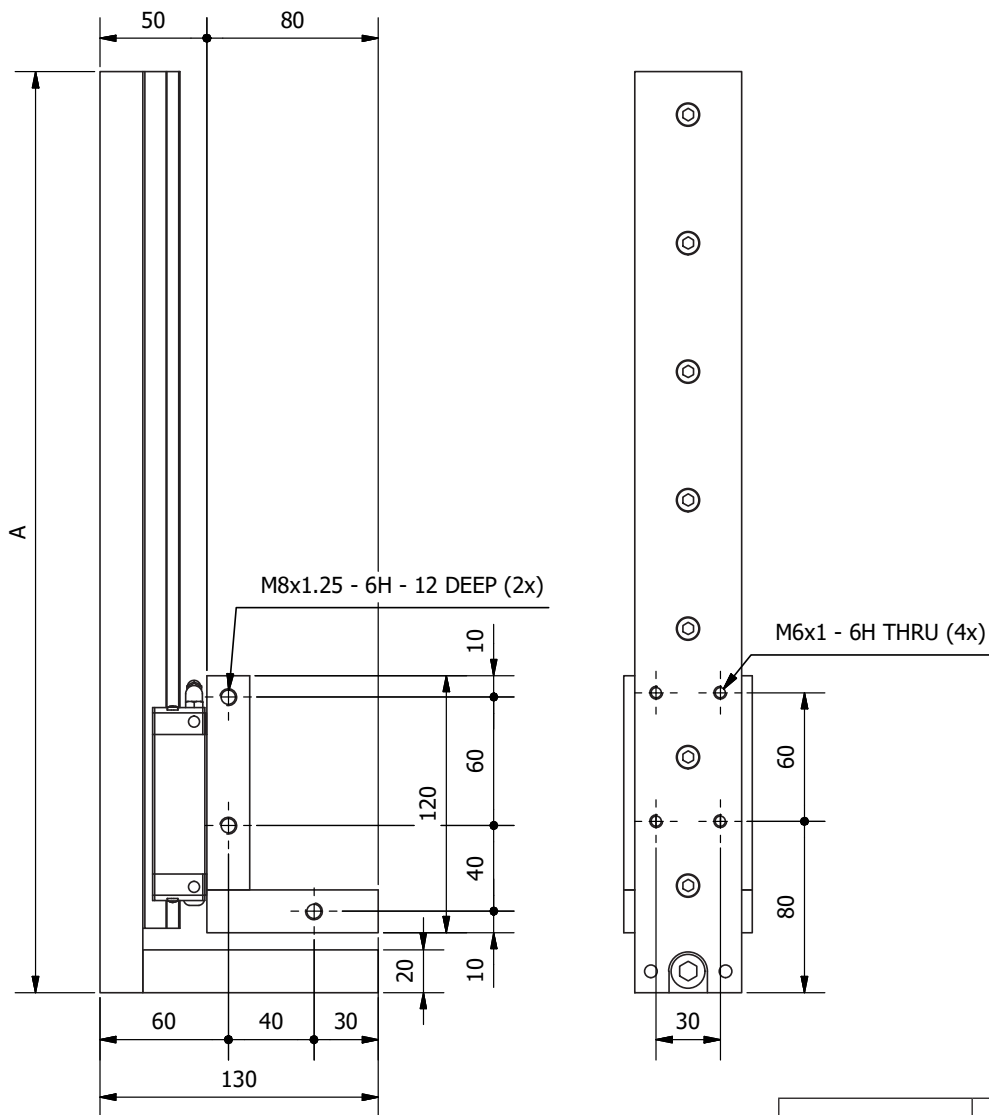
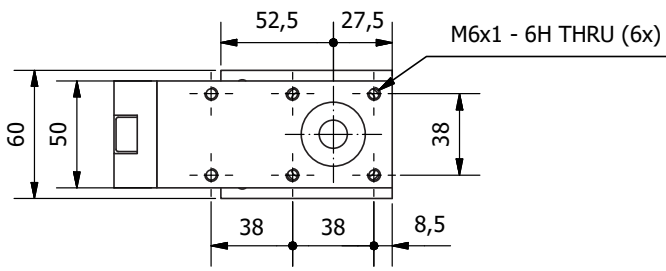


ORDER CODE

PCG/ECG	Cylinder		Guide type		Stroke length	
	(32) Cylinder Ø32 mm	(20) HGH20HA			(I) Max. 125 mm	
	(40) Cylinder Ø40 mm				(II) Max. 250 mm	
	(50) Cylinder Ø50 mm	(25) HGH25HA			(III) Max. 500 mm	
(63) Cylinder Ø63 mm						

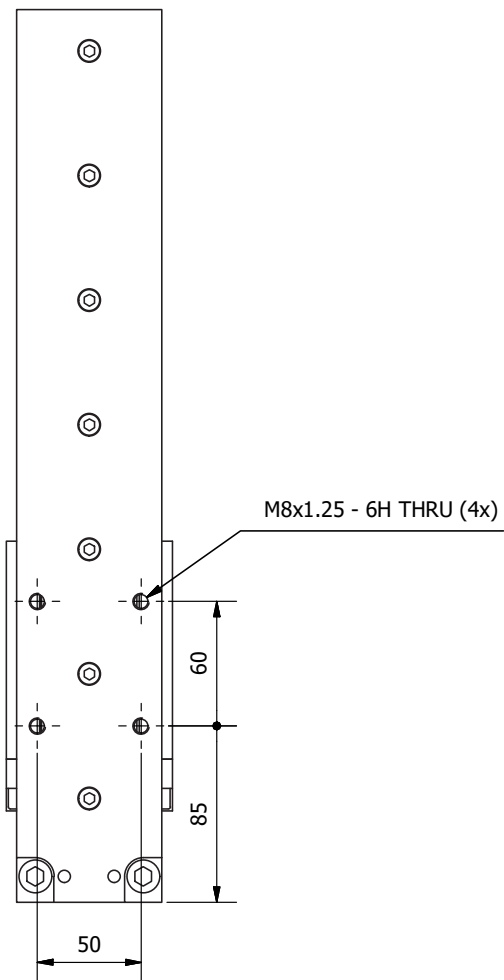
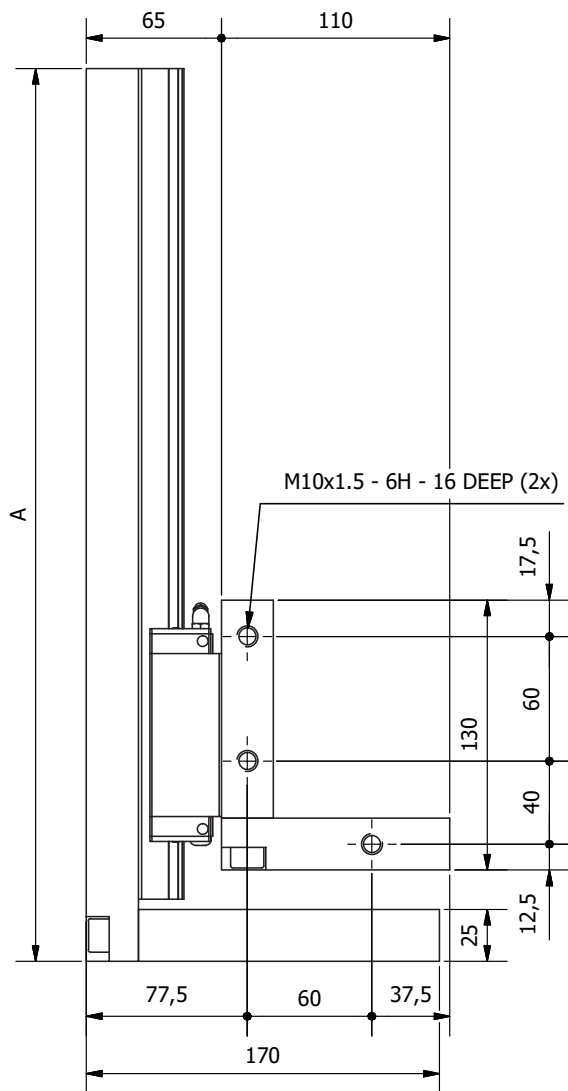
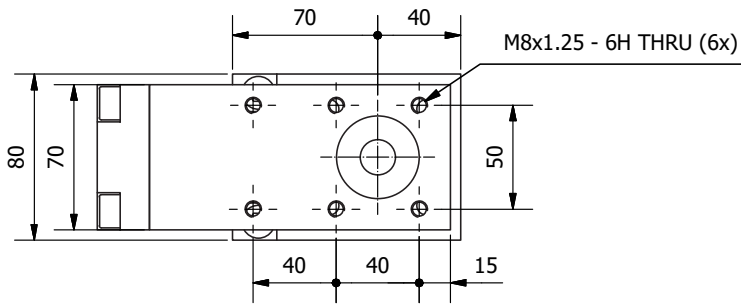
PCG/ECG	-	32	-	20	-	I
---------	---	----	---	----	---	---

DIMENSIONS PCG/ECG 32-40



		A
PCG/ECG-32-20-I	PCG/ECG-40-20-I	260
PCG/ECG-32-20-II	PCG/ECG-40-20-II	430
PCG/ECG-32-20-III	PCG/ECG-40-20-III	670

DIMENSIONS PCG/ECG 50-63

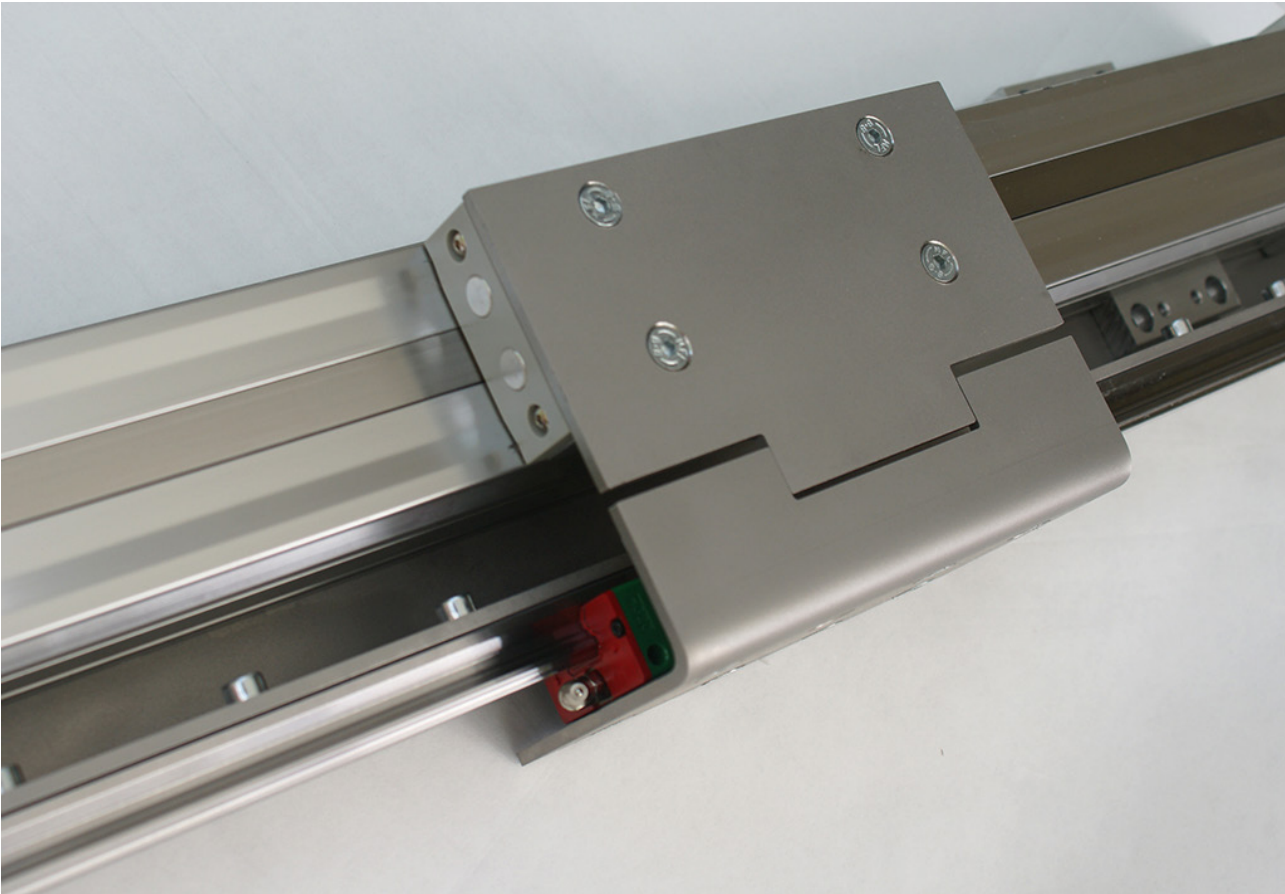


		A
PCG/ECG-50-25-I	PCG/ECG-63-25-I	310
PCG/ECG-50-25-II	PCG/ECG-63-25-II	430
PCG/ECG-50-25-III	PCG/ECG-63-25-III	670

REALISATIONS



REALISATIONS





VANSICHEN
LINEAR TECHNOLOGY

T +32(0)11 37 79 63
F +32(0)11 37 54 34

E INFO@VANSICHEN.BE
VAT BE 0872.221.921

WWW.VANSICHEN.BE